

*Fisher & Paykel*

**Gas-on-glass cooktop**

CG302D, CG451D, CG603D, CG604D,  
CG752D, CG903D & CG905D, models

**User guide**

NZ AU GB IE IN



Safety and warnings	2
Introduction	4
Using your cooktop	8
Cooking guidelines and cookware	10
Care and cleaning	11
Troubleshooting	15
Warranty and service	18

## ***Important!***

### **SAVE THESE INSTRUCTIONS**

*The models shown in this document may not be available in all markets and are subject to change at any time. For current details about model and specification availability in your country, please visit our local website listed on the back cover or contact your local Fisher & Paykel dealer.*

Operation

**⚠ WARNING!**



**Poisoning Hazard**

Never use this appliance as a space heater to heat or warm the room. Doing so may result in carbon monoxide poisoning and overheating of the appliance.

Failure to follow this advice may result in poisoning or death.

**⚠ WARNING!**



**Hot Surface Hazard**

This appliance becomes hot during use. Do not touch the cooktop components, burners, pan supports or the ceramic glass when hot.

Before cleaning, turn the burners off and make sure the whole cooktop is cool.

Failure to follow this advice may result in serious injury.

**⚠ WARNING!****Fire Hazard**

Never leave the appliance unattended when in use. Boilover causes smoking and greasy spillovers that may ignite. Failure to follow this advice may result in serious injury.

**⚠ WARNING!****Explosion Hazard**

Do not use or store flammable materials such as gasoline near this appliance.

Do not spray aerosols in the vicinity of this appliance while it is in operation.

Failure to follow this advice may result in death or serious injury.

Operation

**⚠ WARNING!**



**Electrical Shock Hazard**

Switch the power to the cooktop off at the wall before cleaning or maintenance.

Do not cook on a broken or cracked cooktop. If the glass should break or crack, turn off the gas supply and switch the appliance off immediately at the mains power supply (wall switch) and contact a qualified technician.

Failure to follow this advice may result in death or electrical shock.

## ***Important safety instructions!***

### Operation

- ***Keep children away from the cooktop when it is in use.***
- ***Household appliances are not intended to be played with by children.***
- ***Children of less than 8 years old must be kept away from the appliance unless continuously supervised. This appliance can be used by children aged from 8 years and above, and persons with reduced physical, sensory or mental capabilities or lack of experience and knowledge, if they have been given supervision or instruction concerning the use of the appliance in a safe way and they understand the hazards involved. Cleaning and user maintenance shall not be done by children without supervision.***
- ***If the electrical supply cord is damaged, it must only be replaced by an authorised person.***
- ***If the appliance is connected to the gas supply with a flexible hose, make sure that the hose cannot come in contact with the bottom of the appliance or any sharp edges.***
- ***Ensure that the electrical connection plug is accessible after installation.***

## *Important safety instructions!*

- *This appliance should be connected to a circuit that incorporates an isolating switch providing full disconnection from the electricity supply.*
- *Do not use an asbestos mat or decorative covers between the flame and the saucepan as this may cause serious damage to your cooktop.*
- *Do not place aluminium foil or plastic dishes on the cooktop burners.*
- *Do not let large saucepans, frying pans or woks push any other pans aside. This could make them unstable or deflect heat onto your benchtop and damage the surface.*
- *Do not use a steam cleaner for cleaning this cooktop.*
- *Saucepan handles may be hot to touch. Ensure saucepan handles do not overhang other gas burners that are on. Keep handles out of reach of children.*
- *Do not stand or place heavy objects on this appliance.*
- *Take care not to drop any heavy or sharp objects on the cooktop. The ceramic glass is tough, but sharp or heavy objects falling on it (e.g. pepper mill, heavy-based frying pan) may crack or chip it.*



## ***Important safety instructions!***

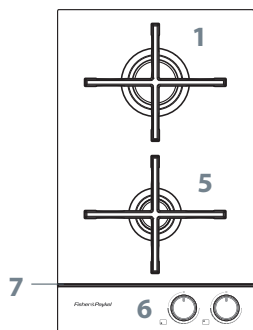
- ***After use, ensure that the control dials are in the 'OFF' (o) position.***
- ***Where this appliance is installed in marine craft or in caravans, it shall not be used as a space heater.***
- ***The use of a gas cooking appliance results in the production of heat and moisture in the room in which it is installed. Ensure the kitchen is well ventilated. Keep natural ventilation holes open or install a mechanical ventilation device (mechanical extractor hood). Prolonged intensive use of the appliance may call for additional ventilation, for example opening of a window, or more effective ventilation, for example increasing the level of mechanical ventilation where present.***
- ***After having unpacked the appliance, check to ensure that it is not damaged. In case of doubt, do not use it and consult your supplier or a professionally qualified technician.***  
***Packing elements (eg plastic bags, polystyrene foam, nails, packing straps, etc.) should not be left around within easy reach of children, as these may cause serious injuries.***
- ***Do not modify this appliance.***
- ***This appliance is to be serviced only by an authorised person.***

## About your new cooktop

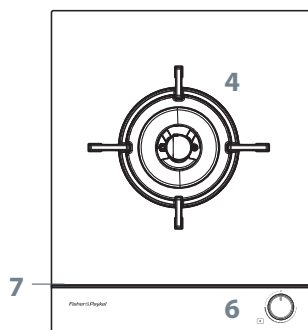
Thank you for buying a Fisher & Paykel gas cooktop. We recommend you read the whole guide before using your new cooktop, for both safety and cooking success. For more information, visit our local website listed on the back cover.

### Safety feature: flame failure protection

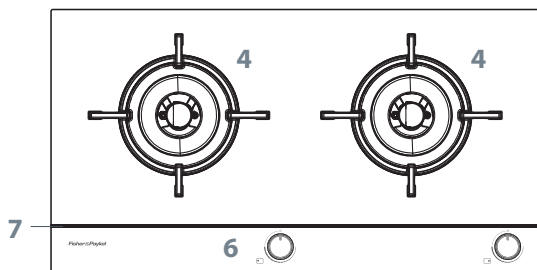
Your cooktop is equipped with flame failure protection: the gas supply will automatically be cut off to a burner that is accidentally blown out by a draught or extinguished by a spill.



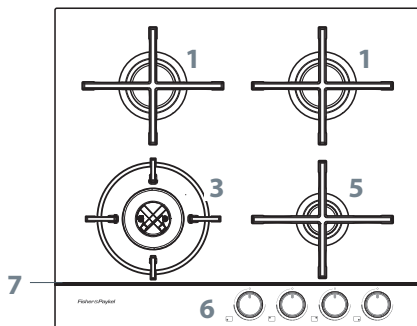
Cooktop layout - CG302D



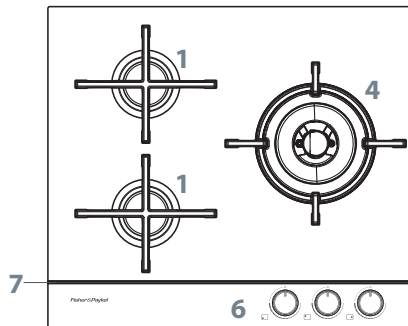
Cooktop layout - CG451D



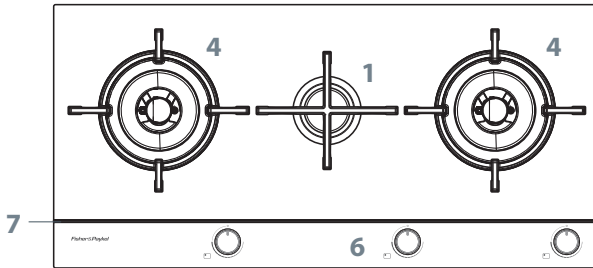
Cooktop layout - CG752D



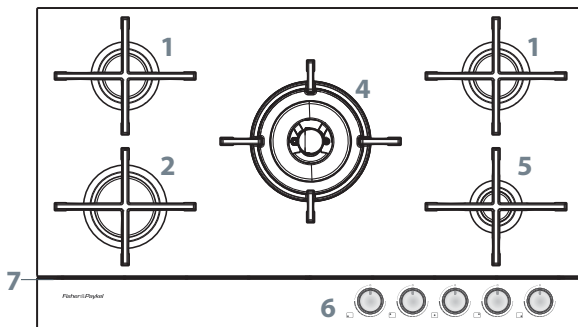
Cooktop layout - CG604D



Cooktop layout - CG603D



Cooktop layout - CG903D



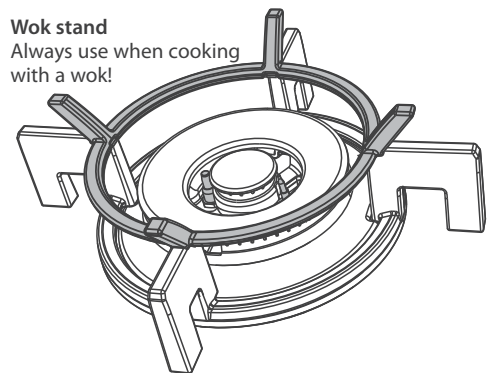
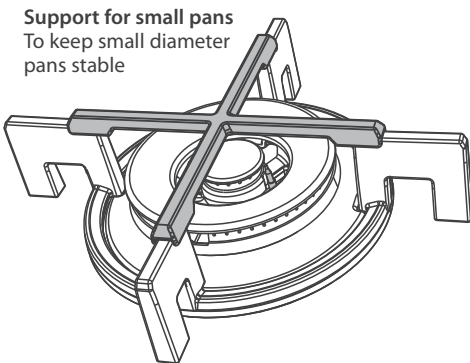
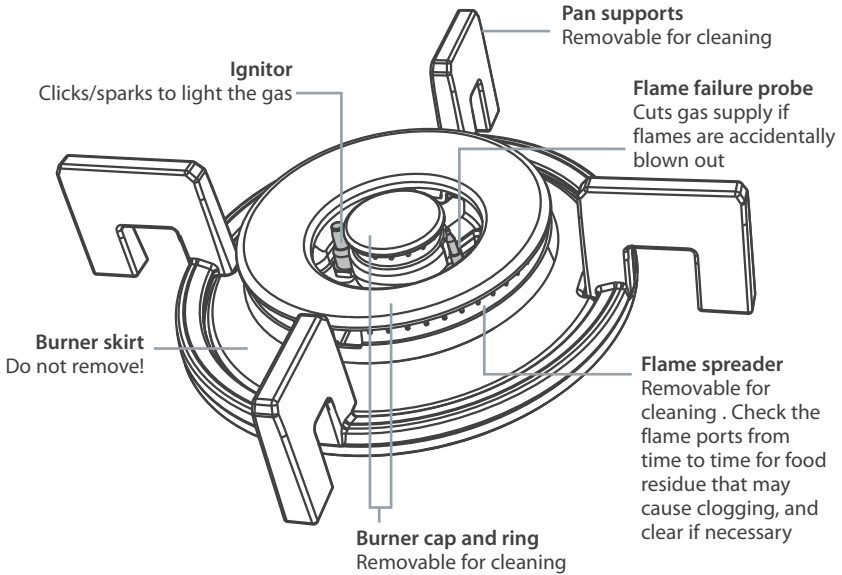
Cooktop layout - CG905D

- 1 Semi-rapid burner
- 2 Rapid burner
- 3 Mini wok burner
- 4 Dual wok burner
- 5 Auxiliary burner
- 6 Control dials
- 7 Stainless steel strip

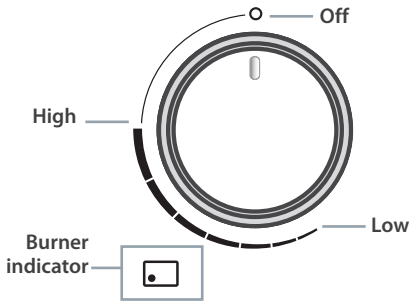
### **Before using the cooktop for the first time**

- 1 Wipe the glass surface with a clean damp cloth.
- 2 Check that the pan supports are all in place and stable, and the flame spreaders, burner caps and rings are all seated correctly.
- 3 Check that the installer has completed the 'Final checklist' in the Installation instructions.

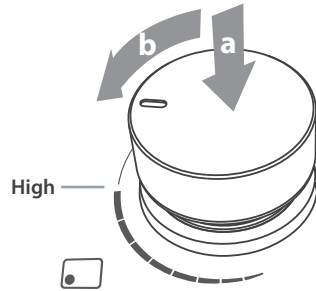
Note: the drawing opposite is for illustration purposes only. The location of burner components varies, and some models do not have the dual wok burner.



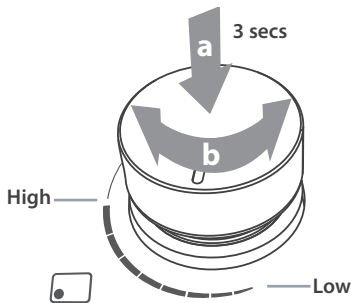
## 12 Using your cooktop



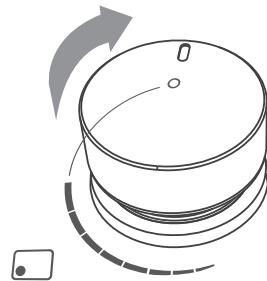
1 Identify the dial of the burner you want to use.



- 2 Press down (a) and turn anti-clockwise to High (b).
- The ignitors will start clicking as they spark.
  - If there is no clicking, there is no spark to light the burner. Turn the dial back to off (o) and see 'Troubleshooting'.



- 3 After the burner has lit, keep the dial held down for 3 more seconds (a), then release.
- You may now adjust the flame anywhere between High and Low (b).
  - Do not adjust or leave the dial between High and off (o).
  - On dual wok burners (some models only) you can use the inner ring of flame by itself. See the illustration opposite.



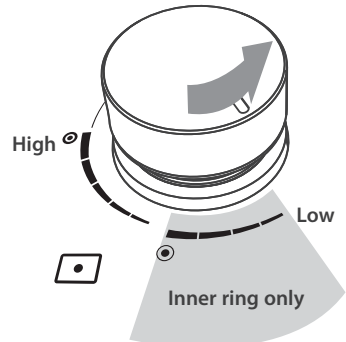
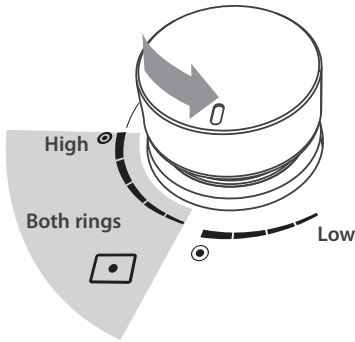
- 4 When you have finished cooking, turn the dial clockwise back to off (o).
- Check that the burner has gone out.
  - Before leaving the kitchen, check that all burners have been turned off.

### Important!

Turn the burner off (o) and see 'Troubleshooting' for what to do next if you experience any of the following:

- There's a strong gas smell.
- The flame has been blown out by a draught or extinguished by a spill.
- There is no clicking/sparking or there is clicking/sparking, but a burner or burners won't light.
- The flames don't burn all the way around a burner, or some flames flicker.
- The flame goes out when you release the dial 3 seconds after lighting.
- The flame is yellow or yellow-tipped rather than blue.
- The flames are too large, small, irregular, noisy or lift away from the burner.

## Adjusting the flame on the dual work burner



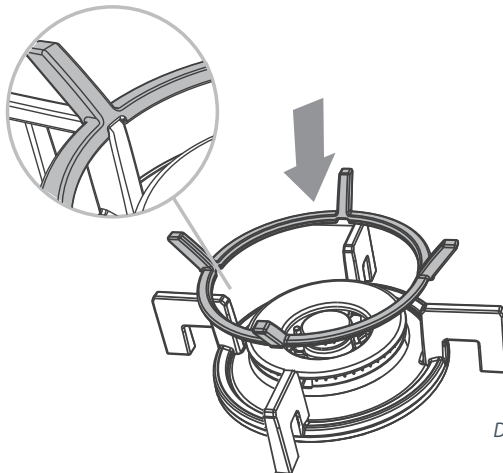
- 1 Always start out on High. Both rings of flame will be on in the shaded setting range.  
Note: when turned all the way down, the flame on the outer ring may appear to come and go. If this occurs, adjust the dial slightly back towards High for a stable outer ring.
- 2 To use the inner ring of flames only, continue turning the dial towards Low. Only the inner ring will be on in the shaded setting range.

## Wok cooking

Use your wok only on the wok burner (dual or mini, depending on model) and with the supplied wok stand in place, as shown.

### **Important!**

- *Make sure that the wok stand is stable: its notches need to fit tightly over the pan supports, as shown.*
- *Make sure the wok does not push any other pans aside. This could make them unstable, or deflect heat onto nearby walls or the benchtop.*



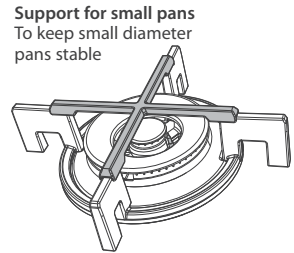
*Dual wok burner illustrated*

**Cooking guidelines**

**Important!**

- *Never leave the cooktop unattended when in use. Boilover causes smoking and greasy spills that may ignite.*
- *Take care when deep-frying: oil or fat can overheat very quickly, particularly on a high setting.*
- Using a lid will reduce cooking times through retaining the heat.
- Minimise the amount of liquid to reduce cooking times.

**Cookware**



- Use saucepans with thick flat bases.
- Do not let large saucepans or frying pans overlap the bench, as this can deflect heat onto your benchtop and damage its surface.
- When using a wok, ensure it does not over hang the control dials.
- Always make sure saucepans are stable by centring them over the burner. When using a small diameter pan on the dual wok burner, always use the small pan support provided.
- Make sure the size of the pan matches the size of the burner. A small pot on a large burner is not efficient. The following table shows the minimum and maximum saucepan base diameters that may be used on each burner:

Burner		Minimum Ø	Maximum Ø
<b>Auxiliary</b>		n/a	22 cm
<b>Semi-rapid</b>		n/a	22 cm
<b>Rapid</b>		n/a	22 cm
<b>Mini wok</b>	<i>regular pans (without small pan support)</i>	15 cm	22 cm
	<i>woks (with wok stand)</i>	n/a	36 cm
<b>Dual wok</b>	<i>regular pans (without small pan support)</i>	20 cm	34 cm
	<i>woks (with wok stand)</i>	n/a	40 cm



## ***Important!***

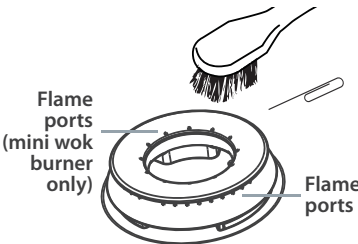
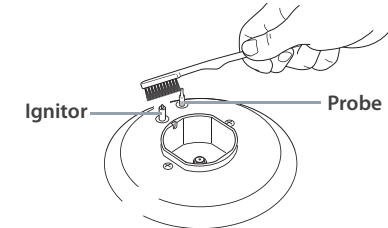
*Before any cleaning or maintenance, always:*

- *turn all burners off.*
- *switch the power to the cooktop off at the wall.*
- *make sure that the cooktop and its parts are a safe temperature to touch.*

## **General advice**

- Clean the cooktop regularly—do not let stains become burnt on, as they may become very difficult to remove.
- Do not use abrasive cleaners, cloths or pads to clean any part of your cooktop. Some nylon scourers may also scratch. Check the label.
- Clean up spillages as soon as possible. If left to dry on, food residue may clog the flame ports, causing an uneven flame pattern.
- Make sure that no cleaner residue is left on any cooktop part; when heated, these could stain the cooktop.
- See the following pages for instructions on replacing the pan supports and reassembling the burners correctly after cleaning.
- Do not clean cooktop parts in a self-cleaning oven.
- Do not use a steam cleaner.

<b>What?</b> <i>How often?</i>	<b>How?</b>	<b><i>Important!</i></b>
<b>Glass surfaces</b>  <i>After every use</i>	<ol style="list-style-type: none"> <li>1 Remove the pan supports, burner caps, and flame spreaders.</li> <li>2 Remove any spills or burnt-on food. Soften stubborn soiling under a hot soapy cloth, then use a suitable razor blade scraper to remove.</li> <li>3 Wipe with a clean, damp cloth and dry with a lint-free cloth. A microfibre cloth is ideal for this.                             <ul style="list-style-type: none"> <li>▪ From time to time, apply ceramic glass cooktop cleaner for protection and a streak-free look, following the cleaner manufacturer's instructions.</li> </ul> </li> </ol>	<ul style="list-style-type: none"> <li>▪ <i>Remove stains left by sugary food or spillovers as soon as possible. If left to burn on, they may be difficult to remove or even permanently damage the glass surface.</i></li> <li>▪ <i>Take extreme care when working around hot surfaces!</i></li> <li>▪ <i>Heavy-duty scourers, some nylon scourers and harsh/abrasive cleaning agents may scratch the glass. Always read the label to check if your cleaner or scourer is suitable.</i></li> </ul>

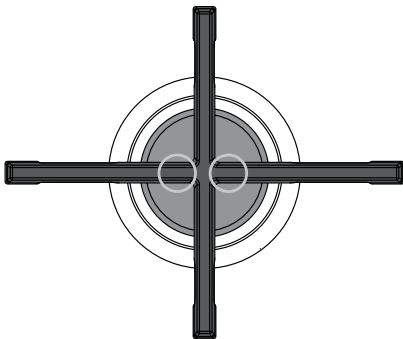
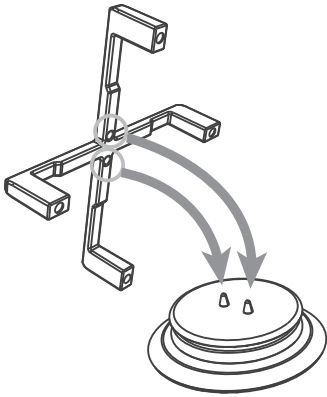
What? How often?	How?	Important!
<p><b>Burner caps and rings, flame spreaders, pan supports, wok stand</b></p> <p><i>As needed, but at least once a month</i></p>	<ol style="list-style-type: none"> <li>1 Remove the parts that you wish to clean.</li> <li>2 Soak stubborn stains in a solution of biological clothes washing detergent or dishwashing detergent.</li> <li>3 Clean the parts in hot soapy water. Use a stiff nylon brush or straight-ended paper clip to clear the flame ports.</li> <li>4 Rinse in warm water.</li> <li>5 Dry thoroughly.</li> <li>6 Replace the parts correctly, as shown in the drawings following this chart.</li> </ol> 	<ul style="list-style-type: none"> <li>■ <i>Make sure you keep the flame ports clear. Soiling from food spillage may clog these and cause ignition problems or uneven flame patterns.</i></li> <li>■ <i>Remove stains left by food or spillovers as soon as possible. If left to burn on, they may be difficult to remove or even permanently discolour these parts.</i></li> <li>■ <i>Before replacing the burner parts, make sure that they are completely dry. Wet burner parts may result in an irregular flame.</i></li> <li>■ <i>Before lighting a burner you have reassembled, check that all of its parts have been positioned correctly. Incorrect assembly can cause dangerous irregular flames and ignition problems.</i></li> </ul>
<p><b>Ignitor and probe</b></p> <p><i>At least once a month</i></p>	<p>Clean these very carefully using a toothbrush dipped into methylated spirits.</p> 	<ul style="list-style-type: none"> <li>■ <i>A clean ignitor ensures trouble-free sparking and the probe ensures that the flame failure protection operates. Check the ignitor and probe regularly to make sure they are clean.</i></li> </ul>
<p><b>All gas components of the cooktop</b></p> <p><i>Once every 3-4 years</i></p>	<ul style="list-style-type: none"> <li>■ Contact your local Authorised Repairer to perform a thorough check on all gas components of the cooktop.</li> <li>■ For Authorised Repairer details, see your Service &amp; warranty book or contact Customer Care.</li> </ul>	<ul style="list-style-type: none"> <li>■ <i>All checking and maintenance must be performed by a suitably qualified person.</i></li> <li>■ <i>If the gas is connected with a flexible hose, checking should include inspecting the entire length of the flexible hose assembly for any sign of wear or damage.</i></li> </ul>

## Replacing the pan supports correctly

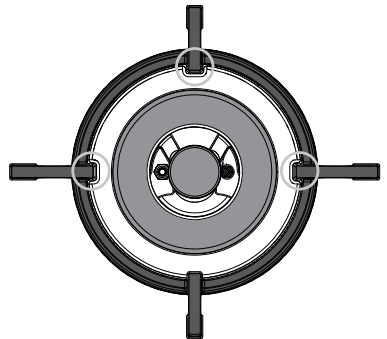
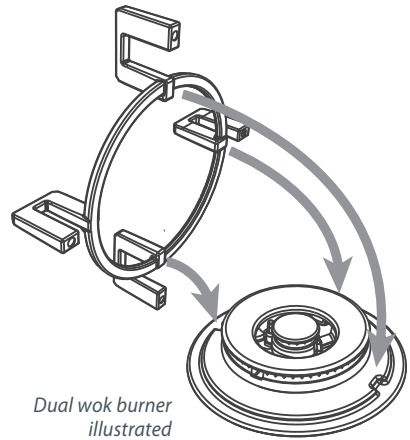
### **Important!**

- *Make sure you use the correct pan support for the burner.*
- *Check that the pan support is the right way around and in the correct orientation. The wok burners have three locating recesses and the other burners have two locating nodules on the burner cap.*

### Semi-rapid, rapid and auxiliary burners

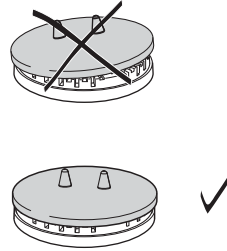
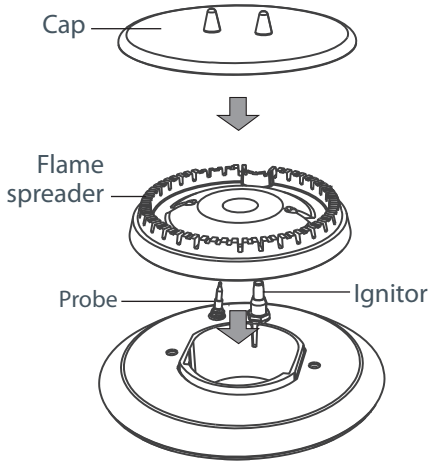


### Dual and mini wok burners

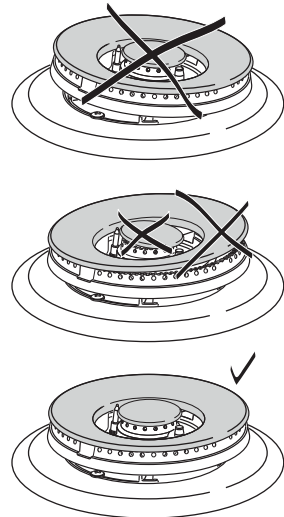
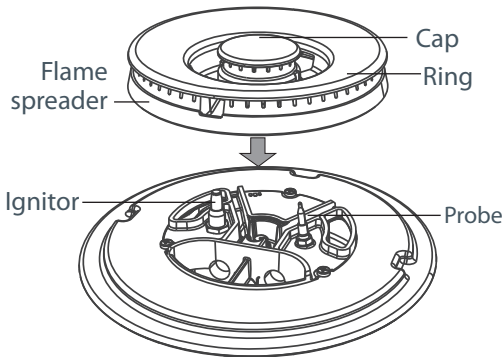


### Replacing the burner parts correctly

#### Semi-rapid, rapid, and auxiliary burners



#### Dual and mini wok burners (Dual wok burner illustrated)



Problem	Possible causes and solutions
<b>There is a strong gas smell.</b>	<p>The gas connection could be leaking because of incorrect installation or damaged piping.</p> <p><b>Important!</b> <i>Do not use any electrical equipment or operate any electrical switches.</i></p> <ol style="list-style-type: none"> <li>1 If any burners are on, turn all of them off immediately.</li> <li>2 If you know how to shut off the gas supply to your cooktop (either at the valve or the gas bottle), do so.</li> <li>3 Open a window to let the gas out.</li> <li>4 Contact your local Authorised Repairer as soon as possible.</li> </ol> <p><b>Important!</b> <i>Do not use the cooktop until it has been repaired.</i></p>
<b>There is a slight rubbery or metallic smell when I use the cooktop for the first time.</b>	<p>This is normal for first use and is caused by manufacturing residues burning off. The smell will disappear with use.</p>
<b>There is a power failure.</b>	<p>You can still use your cooktop, but will need to match-light the burner(s). To do so, press down and turn the dial anticlockwise to High while holding a lighted match close to the side of the burner. Keep the dial held down for 3 seconds after the burner has lit, then release. Wait until the flame is burning evenly before adjusting it.</p>
<b>There is no clicking/sparking.</b>	<p>There is a power failure. See entry 'There is a power failure' above.</p> <hr/> <p>The ignitor(s) may be dirty or wet. Clean them following the instructions in 'Care and cleaning'.</p>
<b>There is clicking/sparking, but a burner or burners won't light easily or at all.</b>	<p>Wait 1 minute, then try to relight the burner again, holding the dial for a few more seconds this time around. If this doesn't work and the burner still won't light, see the other possible causes and solutions below.</p> <hr/> <p>The gas supply may not be turned on at the valve or gas bottle. Turn all the burners off, and check whether the gas supply to the cooktop is turned on.</p> <hr/> <p>The gas supply to the house may not be working. You should hear the gas when you turn a burner on.</p> <hr/> <p>If you use bottled gas, this may indicate you are getting near the end of the bottle and need to replace it.</p> <hr/> <p>Burner parts may be clogged or wet. Make sure that they are clean and dry. See 'Care and cleaning' for instructions.</p> <hr/> <p>Burner parts may not have been replaced correctly. Check the assembly and make sure the burner cap is sitting flat. See 'Care and cleaning' for illustrations.</p>

**Problem** **Possible causes and solutions**

**The burner goes out when I release the dial 3 seconds after the flame lighting.**

Check the burner parts are correctly assembled. Try lighting the burner again, this time holding down the dial down for longer. If the burner continues to go out, contact Customer Care or your Authorised Repairer.

**The flame has been blown out by a draught or extinguished by a spill.**

The flame failure protection will automatically cut the gas supply to the burner off, stopping unburnt gas from escaping. Turn the affected burner off, then wait for at least 1 minute before attempting to relight. This is to allow for any small amount of gas that may have escaped to disperse.

**The flame goes out at low settings.**

The gas supply pressure may be low. Check this with your service person or installer.

If you use bottled gas, this may indicate you are getting near the end of the bottle

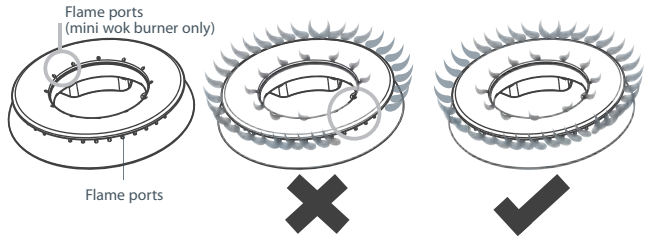
**The flames are yellow or yellow-tipped rather than blue.**

Burner parts (especially the flame ports) may be clogged or wet. Check that they are clean and dry.

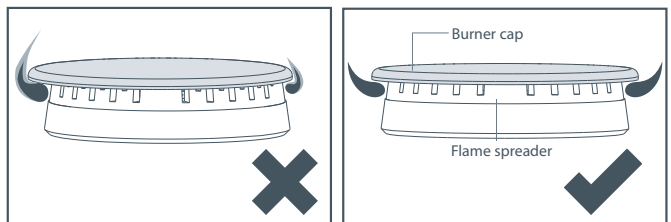
The cooktop may have been connected to the wrong type of gas or the gas pressure is not correct. Contact Customer Care and do not use your cooktop until it has been checked by a qualified technician.

**The flame pattern is uneven around the burner.**

Burner parts (especially the flame ports) may be clogged or wet. Check that they are clean and dry. See 'Care and cleaning' for instructions and illustrations on clearing clogged flame ports. After cleaning, check that there is flame coming out of each port.



Burner parts may not have been replaced correctly. Check the assembly and make sure the burner cap and/or ring is sitting flat on the flame spreader. See 'Care and cleaning' for illustrations.



Problem	Possible causes and solutions
<b>The flames are too large, or too small.</b>	The cooktop may have been connected to the wrong type of gas. Contact Customer Care and do not use your cooktop until it has been checked by a qualified technician.
<b>The flames are noisy.</b>	
<b>The flames lift away from the burner.</b>	
<b>The glass surface of the cooktop has chipped or cracked.</b>	Contact Customer Care and do not use your cooktop until it has been repaired.

### **Before you call for service or assistance ...**

Check the things you can do yourself. Refer to the installation instructions and your user guide and check that:

- 1 Your product is correctly installed.
- 2 You are familiar with its normal operation.

If after checking these points you still need assistance or parts, please refer to the Service & Warranty book for warranty details and your nearest Authorised Repairers, Customer Care, or contact us through our local website listed on the back cover.

This cooktop has been designed and constructed in accordance with the following codes and specifications:

In New Zealand and Australia:

- |                         |   |
|-------------------------|---|
| AS4551: 2008            | Approval Requirements for Domestic Gas cooking appliances                                       |
| AS/NZS 60335.1          | General Requirements for Safety of household and similar electrical appliances                  |
| AS/NZS 60335.2.102      | Particular Requirements for gas, oil and solid-burning appliances having electrical connections |
| AS/NZS CISPR 14.1: 2010 | Electromagnetic Compatibility Requirements.   |



In the United Kingdom

Safety requirements of EEC Directive "Gas" 2009/142

- EN 30-1-1
- EN 30-2-1
- EN 437

Safety requirements of EEC Directive "Low voltage" 2006/95:

- EN 60335-1 General Requirements for Domestic electrical appliances
- EN 60335-2-6 Particular Requirements for Domestic electrical cooking appliances

Safety requirements of EEC Directive "EMC" 2004/108:


- EN 55014-1, EN 55014-2, EN 61000-3-2, EN 61000-3-3 Electromagnetic Compatibility Requirements

Requirements of EEC Directive 93/68 and 2011/65.



European directive 2002/96/EC on Waste Electrical and Electronic Equipment (WEEE)  
(for European Union countries only)

GB This appliance is marked according to the European directive 2002/96/EC on Waste Electrical and Electronic Equipment (WEEE). By ensuring this product is disposed of correctly, you will help prevent potential negative consequences for the environment and human health, which could otherwise be caused by inappropriate waste handling of this product.

The symbol  on the product, or on the documents accompanying the product, indicates that this appliance may not be treated as household waste. Instead it shall be handed over to the applicable collection point for the recycling of electrical and electronic equipment. Disposal must be carried out in accordance with local environmental regulations for waste disposal. For more detailed information about treatment, recovery and recycling of this product, please contact your local city office, your household waste disposal service or the shop where you purchased the product.

---

## Fisher & Paykel Appliances

Model no .....

Serial no. ....

*Copy these from the serial label on the underside of the cooktop (right rear) or from the duplicate data label.*

Date of purchase .....

Contact details .....

Dealer name .....

---





[www.fisherpaykel.com](http://www.fisherpaykel.com)

***Fisher & Paykel***

Copyright © Fisher & Paykel 2014. All rights reserved.

The product specifications in this booklet apply to the specific products and models described at the date of issue. Under our policy of continuous product improvement, these specifications may change at any time. You should therefore check with your Dealer to ensure this booklet correctly describes the product currently available.